

1" Super Manual Disc Filter

Installation, Operation and Maintenance Instructions

Features

- A "T" shaped reinforced plastic filter with two 1" male connections.
- Filter element consists of grooved discs, mounted on a spine, forming a cylindrical filter element. The discs are compressed together by a spring located at the bottom of the filter cover.
- Screw-on filter cover.
- Resistant to chemicals and liquid fertilizers.
- Available filtration grades: 040, 080, 120, 140 and 280.



Technical Data

Flow Range	10 - 35 GPM
Maximum Pressure	140 psi
Filtering Surface Area	77.78 sq. in.
Filtering Volume	36.1 cu. in.
Length	13 11/16"
Width	5 1/8"
Weight	3.13 lbs
Distance Between End Connections	6 7/32"
Inlet/Outlet Diameter	1" male
Maximum Temperature	158° F
pH	5 - 11

Filtration Grades

Disc Color	Mesh	Micron
Blue	040	400
Yellow	080	200
Red	120	130
Black	140	115
Green	280	50

Installation

1. Filter can be installed either vertically or horizontally.
2. Use Teflon tape on filter threads - Do Not Use Pipe Dope.
3. Ensure correct inlet/outlet direction.
4. When connecting filter to pipe, do not overtighten.
5. Never use spanners for tightening the filter cover.

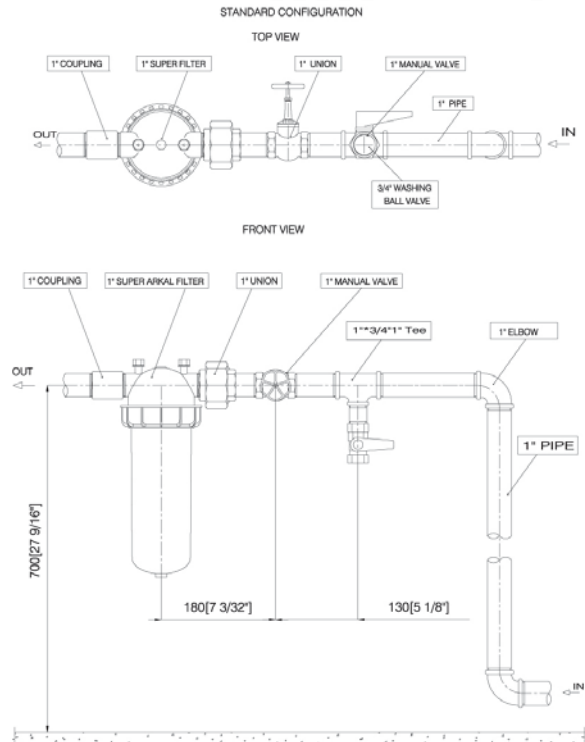
Maintenance and Cleaning

Dismantling

1. Ensure system is turned off and no pressure remains in the pipeline or the filter.
2. Unscrew nut cover from the filter body.
3. Pull out entire filter element.

Cleaning

1. Move tightening ring to end of spine and flush discs with pressurized water.
2. If discs are not clean after flushing with water:
 - a. If the discs have an accumulation of algae in the grooves, soak the discs and spine in a small bucket of Clorox bleach for one hour and then reflush with fresh water.
 - b. If the discs have an accumulation of iron in the grooves, soak the discs and spine in a small bucket of 10% Muriatic Acid for one hour and then reflush with fresh water. Muriatic Acid can be purchased at any pool supply store.



Maintenance and Cleaning

Assembly

1. Verify that spring is in place inside the filter cover.
2. Insert filter element and make sure it is seated correctly.
3. Replace cover.
4. Tighten filter cover by turning the fixing nut clockwise and do not overtighten.

Winterization

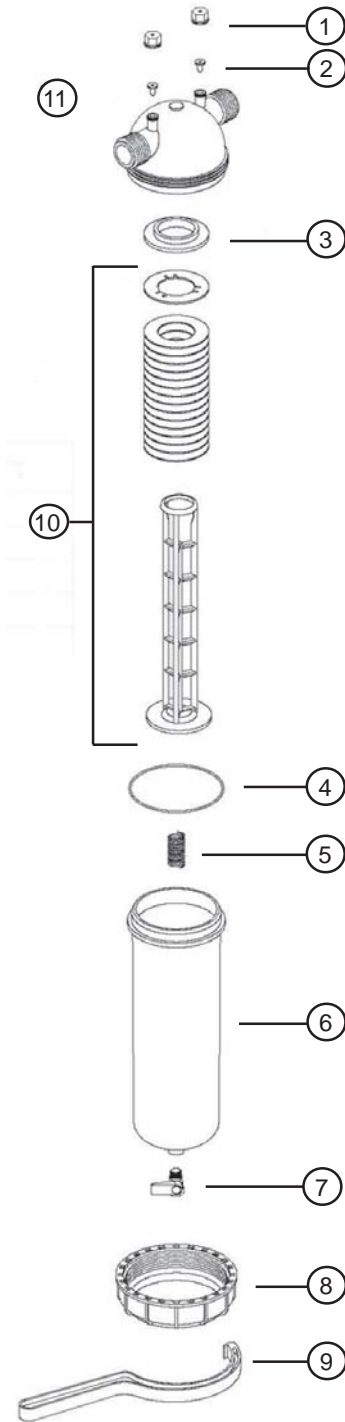
Drain all the water from the filter to avoid cracking due to freezing.

Parts Breakdown

1" Super Manual Disc Filter

Key	Item Number	Description	Materials
1	See # 11	Gauge Port Nut	R.PP
2	See # 11	Gauge Port Seal	EPDM
3	-	Filter Adaptor Ring	R.PA
4	70620-003800	O Ring	NR
5	70620-002350	Compression Spring	SS
6	70620-001915	Filter Cover	R.PA
7	-	1/4" Tap (optional)	BRASS
8	70620-004350	Fixing Nut	R.PA
9	70620-005000	Filter Wrench	R.PA
10	70620-002600	Filter Element 040 Mesh	PP
	70620-002610	Filter Element 080 Mesh	
	70620-002620	Filter Element 120 Mesh	
	70620-002640	Filter Element 140 Mesh	
	70620-002645	Filter Element 280 Mesh	
11	70641-004000	Filter Body Complete	-

* Filter Element includes Spine and Ring Set



Materials Key

Code	Material
SS	Stainless Steel
PP	Polypropylene
NR	Nitrile Rubber
R.PP	Reinforced Polypropylene
R.PA	Reinforced Polyamide
EPDM	Eth. Propy. Rubber