

# 3/4" Manual Disc Filter

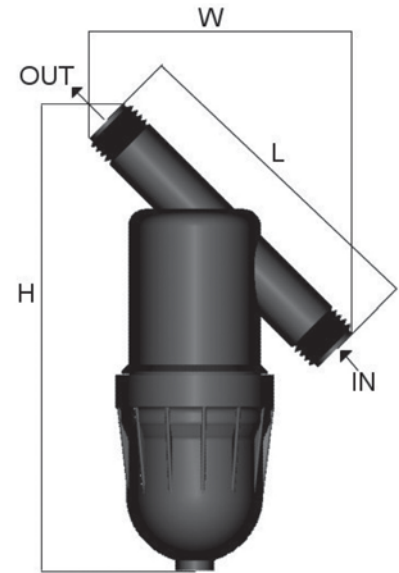
## Installation, Operation and Maintenance Instructions

### Features

- All plastic filter with two 3/4" male connections.
- Filter element consists of grooved discs, mounted on a spine, forming a cylindrical filter element. The discs are compressed together by a spring located at the bottom of the filter cover.
- Screw-on filter cover.
- Resistant to chemicals and liquid fertilizers.
- Available filtration grades: 040, 080, 120, and 140.

### Technical Data

Flow Range	1 - 12 GPM
Maximum Pressure	140 psi
Filtering Surface Area	24.8 sq. in.
Filtering Volume	5.8 cu. in.
Length (H)	8 1/16"
Width (W)	9 5/8"
Weight	.8 lbs
Distance Between End Connections (L)	6"
Inlet/Outlet Diameter	3/4" male
Maximum Temperature	140° F
pH	3 - 12



### Filtration Grades

Disc Color	Mesh	Micron
Blue	040	400
Yellow	080	200
Red	120	130
Black	140	115

### Installation

1. Use Teflon tape on filter threads - Do Not Use Pipe Dope.
2. Ensure correct inlet/outlet direction.
3. When connecting filter to pipe, do not overtighten.
4. Ensure correct alignment and no undue stress is exerted on the filter body.

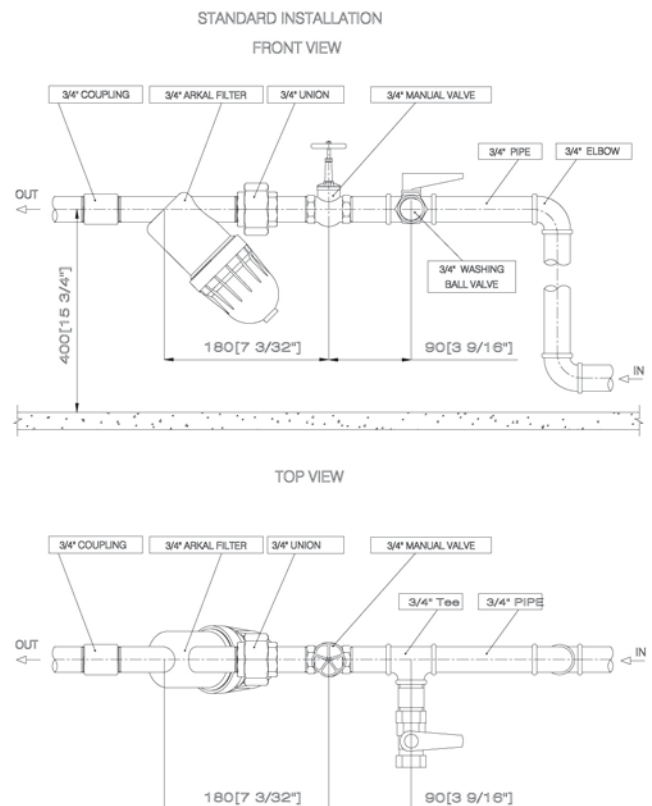
### Maintenance and Cleaning

#### Dismantling

1. Ensure system is turned off and no pressure remains in the pipeline.
2. Unscrew cover at bottom of filter.
3. Pull out entire filter element.

#### Cleaning

1. Move tightening ring to end of spine and flush discs with pressurized water.
2. If discs are not clean after flushing with water:
  - a. If the discs have an accumulation of algae in the grooves, soak the discs and spine in a small bucket of Clorox bleach for one hour and then reflush with fresh water.
  - b. If the discs have an accumulation of iron in the grooves, soak the discs and spine in a small bucket of 10% Muriatic Acid for one hour and then reflush with fresh water. Muriatic Acid can be purchased at any pool supply store.



## Maintenance and Cleaning

### Assembly

1. Verify that spring is in place inside the filter cover.
2. Insert filter element and make sure it is seated correctly.
3. Replace cover.
4. Tighten filter cover securely. Do not overtighten.

### Winterization

Drain all the water from the filter to avoid cracking due to freezing.

## Parts Breakdown

### 3/4" Manual Disc Filter

Key	Item Number	Description	Materials
1	70620-002700	Filter Body	PBT
2	70620-003700	Cover O Ring	NR
3	70620-004720	Compression Spring	SS
4	70620-001700	Filter Cover	PBT
5	70620-002380	Filter Element 040 Mesh	PP
	70620-002400	Filter Element 080 Mesh	
	70620-002420	Filter Element 120 Mesh	
	70620-002440	Filter Element 140 Mesh	

\* Filter Element includes Spine and Ring Set

### Materials Key

Code	Material
PBT	Polyester
SS	Stainless Steel
PP	Polypropylene
NR	Nitrile Rubber

